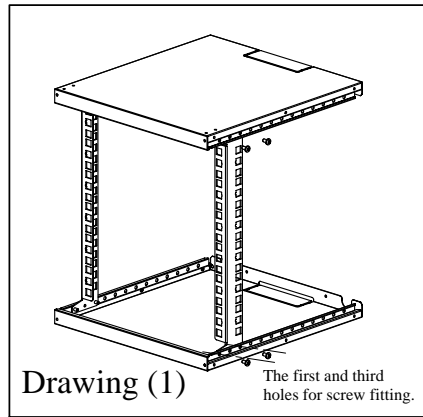


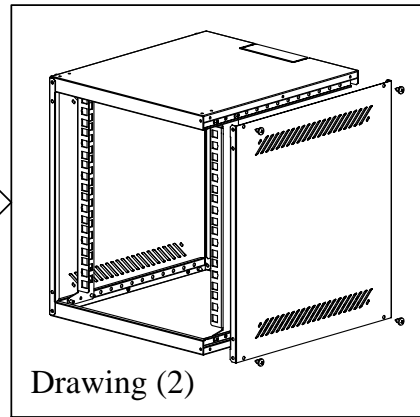
WS cabinet assembly instructions



Drawing (1)

Assembly parts: c, d

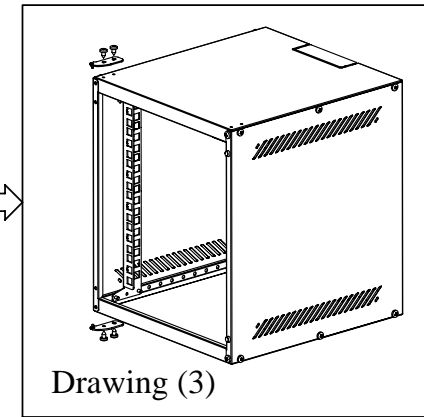
- (1) Use M4*6 screw to fix the mounting profile to the inner side of top & bottom cover (The first and third holes for screw fitting);



Drawing (2)

Assembly parts: c, d, b

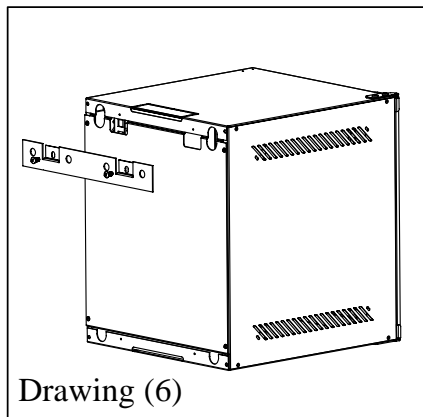
- (2) Use M4*6 screw to fix the side panel to the outer side face of top & bottom cover;



Drawing (3)

Assembly parts: c, d, b, g

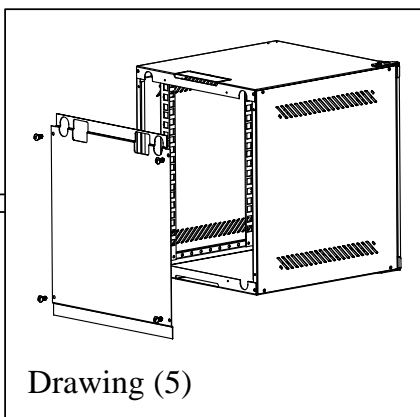
- (3) Use M4*6 screw to fix the top & bottom spring bolt (but not fix the top spring bolt tightly, for installing front door);



Drawing (6)

Assembly parts: c, d, b, g, a, f, e

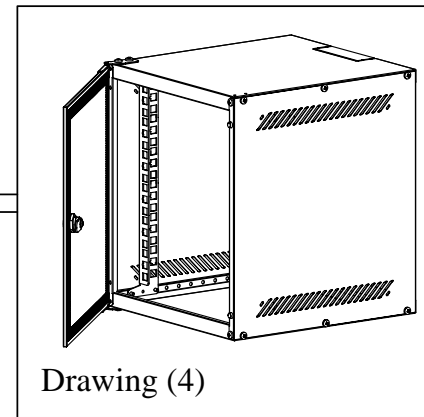
- (6) Use M4*6 screw to fix the frame to the mounting panel from inner to outer (mounting panel should be fixed to the wall first).



Drawing (5)

Assembly parts: c, d, b, g, a, f

- (5) Use M4*6 screw to fix the rear panel to the frame from outer to inner. (there are mounting holes in the back frame of cabinet);



Drawing (4)

Assembly parts: c, d, b, g, a

- (4) Install the front door, ensuring the gap between door and frame well-proportioned, then fix the top spring bolt tightly;