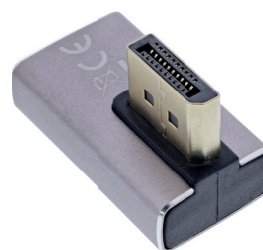


# INLINE® DISPLAYPORT 1.4 ADAPTER

DisplayPort male / female, 90° vertical right, 8K UHD



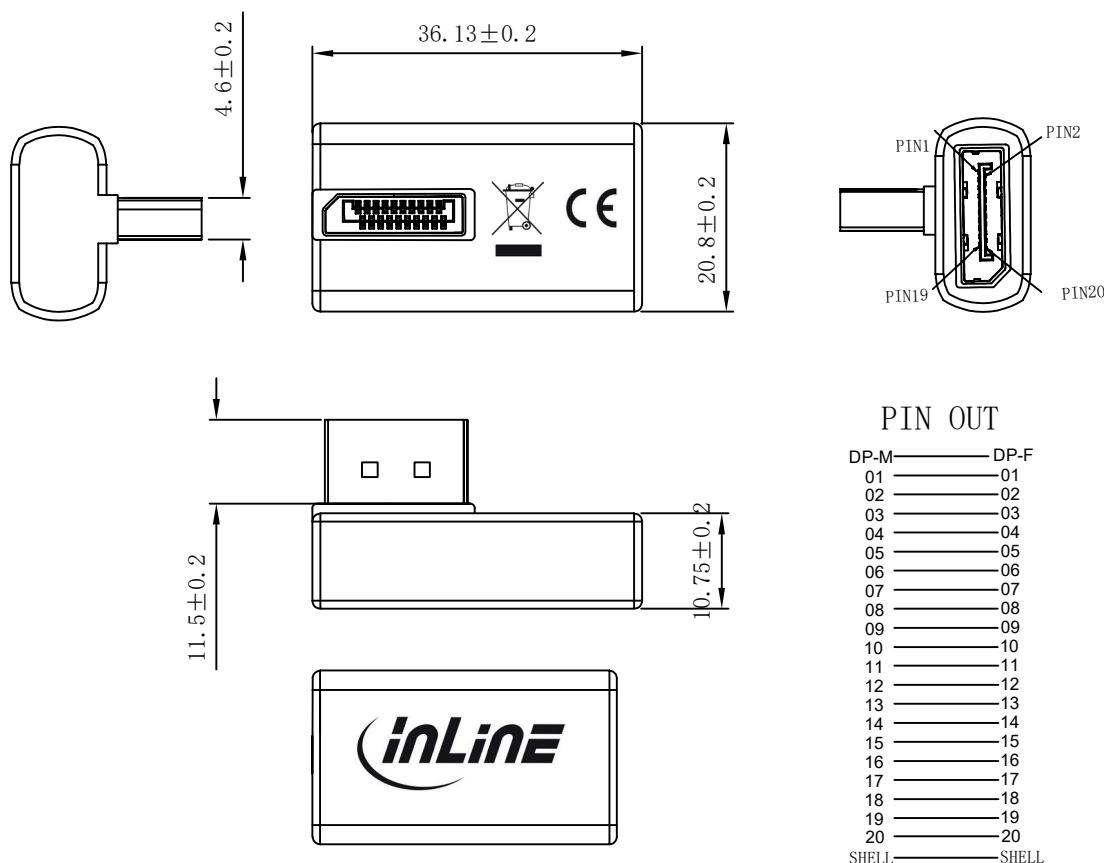
**InLine® DisplayPort 1.4 adapter, DisplayPort male / female, 90° vertical right, 8K UHD** enables a space-saving and reliable connection for high-resolution displays.

Ideal for professional applications, the adapter supports resolutions up to 8K UHD and offers a robust design for long-term use!

- DisplayPort female to DisplayPort male, angled 90° vertically to the right
- Supports resolutions up to UHD 8K
- Gold-plated contacts for a high-quality digital connection

Technical Data	
Article height:	2.1 cm
Article length:	3.6 cm
Article width:	2.3 cm
Audio:	Yes
Brand:	InLine®
Design:	Vertical right
Housing material:	Aluminum
Manufacturer No.:	17291H
Side A:	DisplayPort plug
Side B:	DisplayPort female
Signal:	Audio/Video
Type:	Gold-plated contacts
Type of packaging:	InLine® bag 20106A

Item No.	Design	EAN
17291H	Vertical right	4043718338160



④	Housing	Aluminum Housing Grey Highlighter on both sides	1
③	PCB	DP to DP PCB	1
②	Connector	Display port Female, Black insulation The Pin Gold Plating, the Shell For Gold plating	1
①	Connector	Display port 90° vertical right male, Black insulation The Pin Gold Plating, the Shell For Gold plating	1
NO.	PARTS NAME	SPECIFICATION STANDARD	QT' Y

NOTE:

1. Electrical test:

- (1) 100% open short & miss wire test
- (2) Insulation resistance: DC 300V 10M ohm;
- (3) Contactor resistance: 3 ohm;
- (4) Displayport practical application Test Pass: 3840×2160@120Hz, 4:4:4 8bit

2. Storage temperature : -20°C +80°C

Operation temperature: -10°C +60°C

3. The entire link is recommended to be 1.5M or less, and the maximum length is 2 meters

4. ROHS 2.0 AND REACH COMPLIANT

5. PACKING: 1PCS/Inline Bag

If you have any further questions, please contact [marketing@inline-info.com](mailto:marketing@inline-info.com)

[www.inline-info.com/en/](http://www.inline-info.com/en/)

Disclaimer

InLine® is a brand of INTOS ELECTRONIC AG | Siemensstraße 11 | D-35394 Gießen

Documentation © 2024 INTOS ELECTRONIC AG

All rights reserved. No part of this document may be reproduced in any form or by any means, electronic, mechanical or chemical, without the prior written permission of the publisher.

It is possible that this document may still contain typographical faults or misprints.

However, the information in this document will be checked regularly and corrections will be made in the next edition. We accept no liability for errors of a technical or printing nature and their consequences. All trademarks and industrial property rights are acknowledged. Changes in the sense of technical progress can be made without prior notice. Our products, including packaging, are not toys, they may contain small parts and sharp objects.

Please keep away from children.