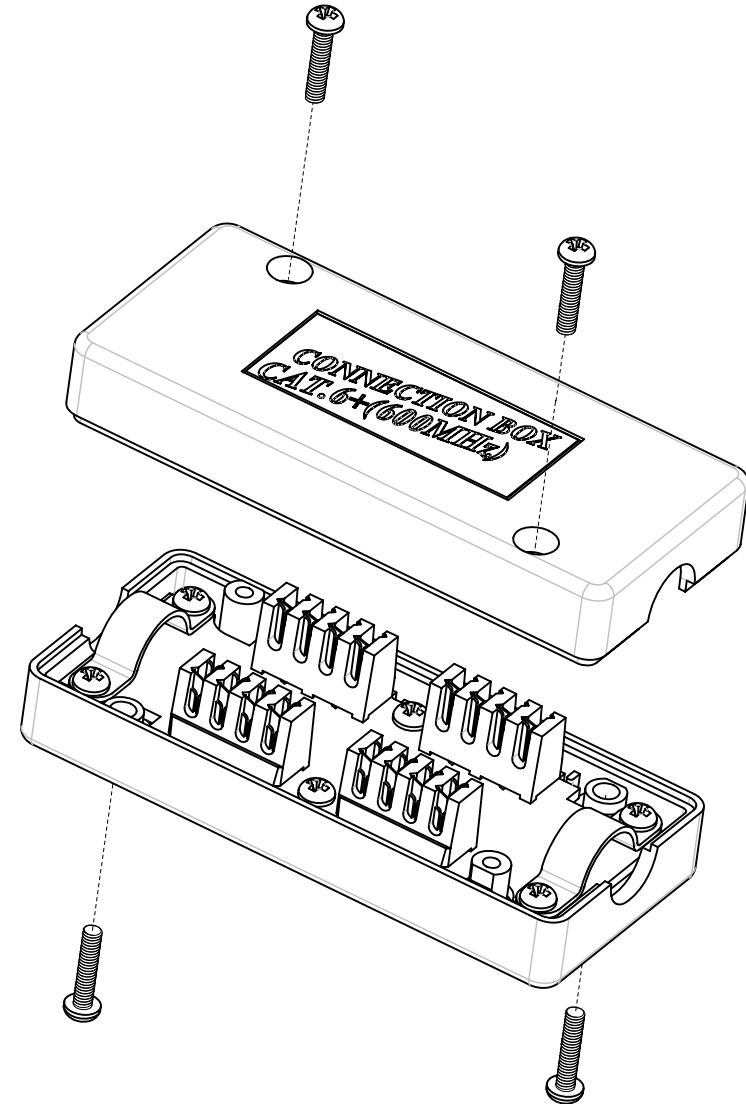
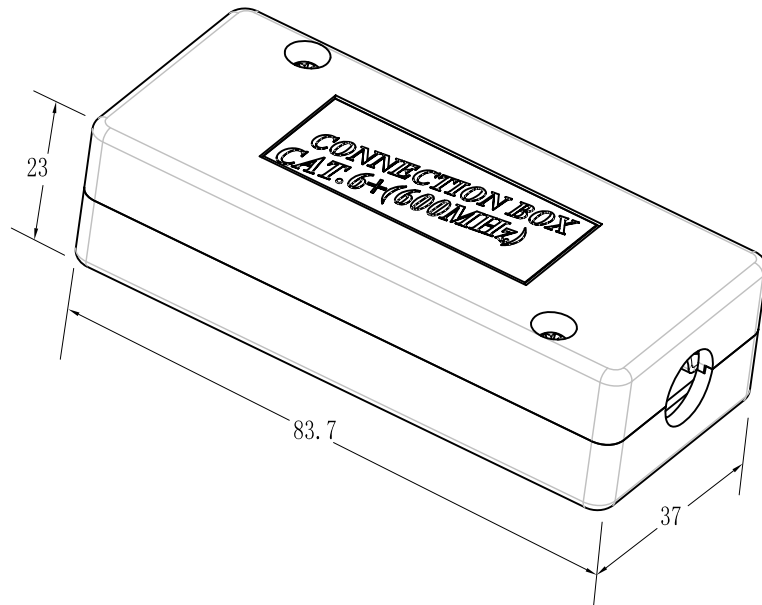


CAT.6 CONNECTING MODULE



Materials:

Box Cover: Fireproof PC/ABS UL-94V0 (Black) /Inside metalized

Box Base: Fireproof PC/ABS UL-94V0 (Black) /Inside metalized

PCB : FR-4/1.6mm UL-94V0

IDC Pin : Bronze & Tinned

IDC Terminal: For 22-26 AWG Cable

Electrical Specifications:

Insulation Resistance: 500M ohms (min.)

Contact Resistance: 20m ohms (max.)

Current Rating : 1.5 Amps.

Withstanding Voltage : 1000 VAC RMS @ 60Hz/ 1 min.

Accessory:

1. Screw-type Strain Relif (M3X12)
2. Cable Inlet (4Pcs)
3. With Adhesive Tapes For Fixing

DRAW NO:		ITEM NO:	FK-1016-C6
	APPR	Johnny Wang	CUSTOMER NO: 37596.1
UNIT:	mm	DESIGN	Guo lili
SCALE:	TOLERANCE	.±1 .X±0.2 .XX±0.15	DATE: 08.10.2006

ROHS compliant



EFB-ELEKTRONIK GmbH