



Keystone Jack, Cat.6

RJ45-LSA, UTP

Art.-Nr.	Type	PU
ELN336001	unshielded, de-embedded	12

- Keystone jack "SNAP-IN"
- Cat.6 components certified (real Cat.6)
- Suitable for AWG23-AWG26
- LSA terminal 568A/B coded
- For installation in modular distribution panels with up to 24 ports and 2-port connection sockets
- Class E (250 MHz) acc. to ISO/IEC 11801 and EN50173
- **GHMT 4-Connector link certified**
- LSA tool necessary



RoHS
compliant

ECOLAN[®]

Product Details:

Category 6 UTP Keystone Jack, dual
568 A/B wiring label, 110/Krone IDC

**Approvals:**

1. Category 6 connecting hardware approved
2. Applicable specifications: ANSI/TIA/EIA-568-B.2-1
ISO/IEC 11801 2nd edition: 2002
EN50173-1: 2002
FCC Part 68

Electrical Specification:

1. Insulation Resistance $\geq 500\text{M}\Omega$
2. Dielectric Withstand Volt: 100VAC RMS 60Hz
3. Contact Resistance $\leq 20\text{M}\Omega$
- 4 Current Rating : 1.5A at 68°F

Mechanical Specification:

1. Plug insertion Life : ≥ 750 times plug in
2. Contact Force 99.2g (3.5oz) FCC Plug
3. Plug Retention Force : 301b (133n/13.3kg)
4. 110 Jack Insertion : 4.5kg minimum
5. 110 Retention Force : 0.5kg minimum
6. Temperature Test : -40 to 150°F (-40 to 66°C)
7. Contact Plating : 50 μ over contact area
8. Polycarbonated, 94V0 rated

Packaging:

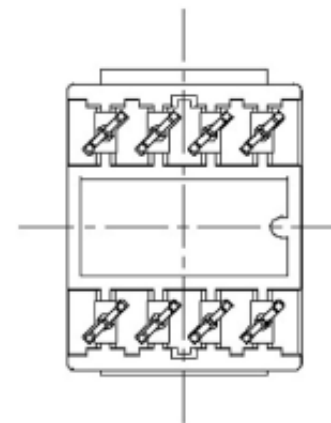
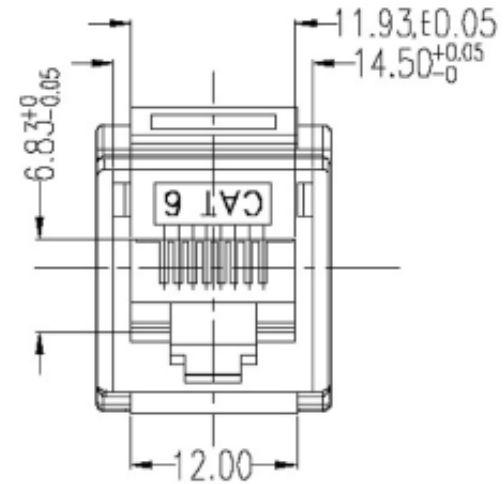
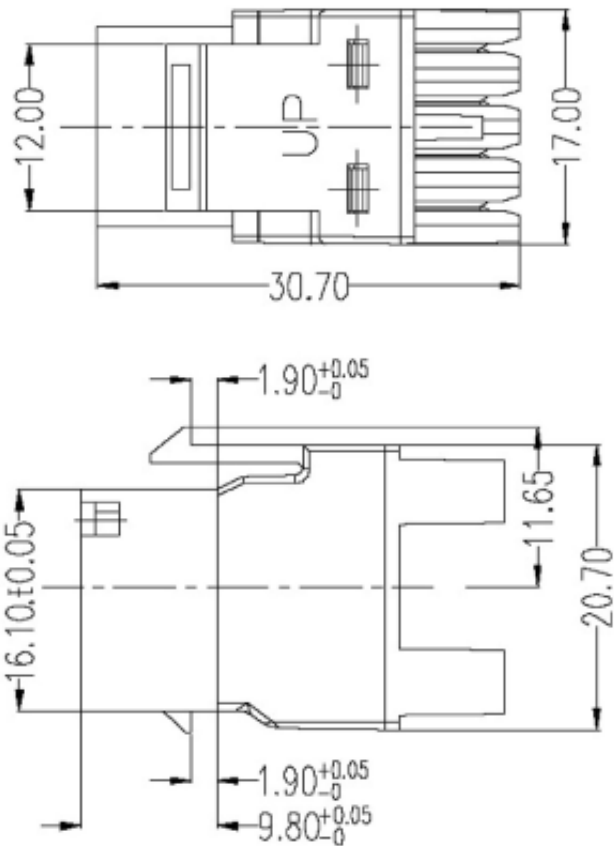
1. Each in instruktion printed on poly bag
2. 12 pieces per inner box
3. Three dust covers (Cat.6, Voice & Data) will be included as accessories

RoHS
compliant

Created BT	Date 19.04.10	ECOLAN Keystone jack, Cat6, RJ45-LSA, UTP	
Last rev. BT	Date 19.04.10		
ITEM NO: ELN336001			

SPECIFICATION

1	UL Application	max. 250VAC 2A
2	Dielectrical with Standing Voltage	500VAC
3	Insulation Resistance	min. 500M Ω
4	Termination Resistance (After Environment Test)	max. 35m Ω
5	Material	PC+ABS UL94V0
6	RJ45 Jack Contact	Phosphor bronze, 50 μ Gold Plating
7	Compliance	FCC Part 68



RoHS
compliant

Created BT	Date 19.04.10	ECOLAN Keystone jack, Cat6, RJ45-LSA, UTP
Last rev. BT	Date 19.04.10	
ITEM NO: ELN336001		

ECOLAN[®]