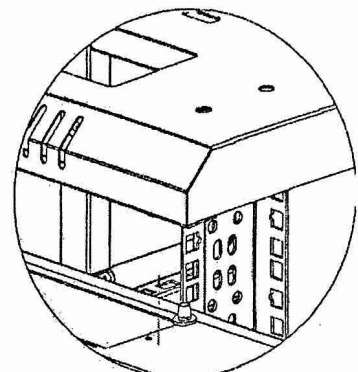


Door hinge rubber seal at the bottom side



Door hinge rubber seal at the top side

Assembling steps:

1. M8*12 flat head screws and M8 flange nut for top&bottom panel
Connect with frames

2. M5*10 flat head screws for connecting bars and frames (8pcs M5*10 flat head screws for each bar)

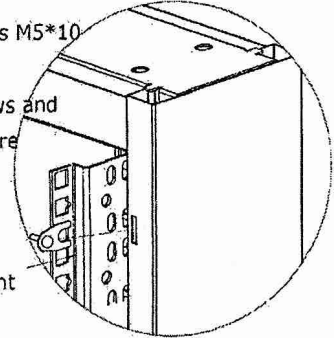
3. Connecting the 19" rails with bars using M6 flat head screws and nuts (M6 nuts should be embedded on the connecting bars before assembling bars, 2pcs for each bar)

4. Fixed by 16 pcs M5*10 self-tapping screws for 4pcs castors

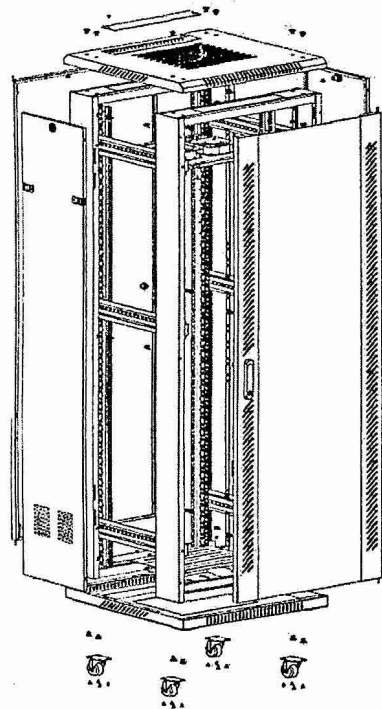
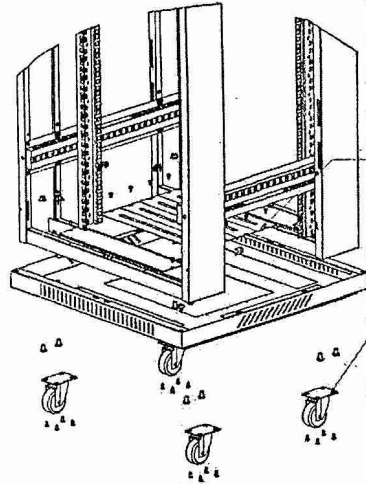
5. Fixed by 4pcs M5*10 self-tapping screws for fan tray on front and back frames

6. Fixed by M4*10 self-tapping screws for 3pcs cable entry panels on top and bottom panel (1pc on top cover, 2pcs on bottom cover)

7. At the middle of bottom cover with 3pcs entry panels, fixed by M8*10 self-tapping screws 2pcs



Crash rubber pad on side panels



8. Assembling front, back and side doors using hinges, latches