

19" Wall Mount Bracket

Technical Features

Depth adjustable up to 400mm

Hinged design for easy access to the rear

Max. static load: 12kg

Delivery in a space-saving flatpack

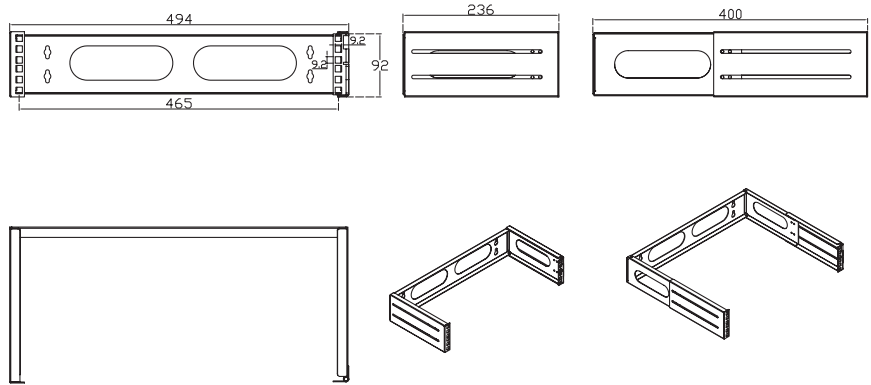
Product dimensions are 2/4/8 U, 494mm width and 400mm depth

RAL 7035 light grey or RAL9005 black colors

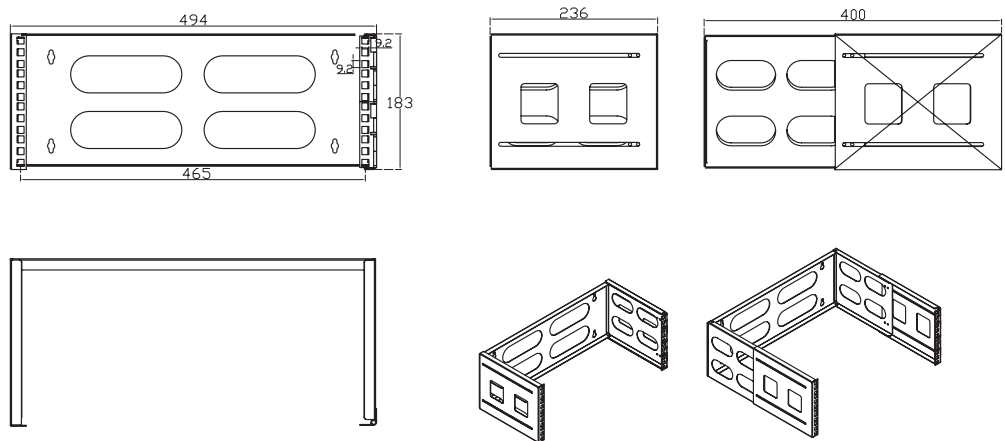
Art-No. Black = B Light Grey = G	Height U	Outer Width (W) mm	Outer Height (H) mm	Adjustable Depth Range (mm)	EAN Code
W02B40B	2U	494	92	236-400	4052792051704
W02B40G	2U	494	92	236-400	4052792051674
W04B40B	4U	494	183	236-400	4052792051711
W04B40G	4U	494	183	236-400	4052792051681
W08B40B	8U	494	360	236-400	4052792051728
W08B40G	8U	494	360	236-400	4052792051698

Technical Drawings

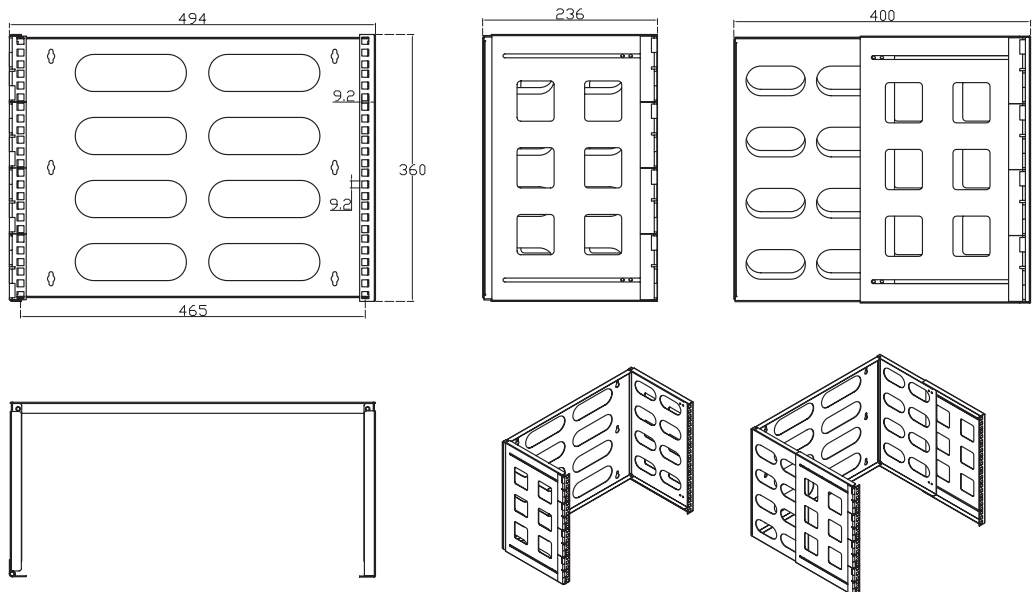
W02B40B/G



W04B40B/G



W08B40B/G



Package Contents

19" Wall Mount Bracket x 1

M6 Mounting Set x 2 (W02B40B/G)

M6 Mounting Set x 4 (W04B40B/G)

M6 Mounting Set x 8 (W08B40B/G)

Packaging Information

Packing Dimension	510 x 100 x 44mm (W02B40B/G) / 510 x 188 x 44mm (W04B40B/G) / 510 x 368 x 44mm (W08B40B/G)
Packing Weight	1.63kg (W02B40B/G) / 2.68kg (W04B40B/G) / 4.85kg (W08B40B/G)
Carton Dimension	520 x 215 x 250mm
Carton Q'ty	10 pcs (W02B40B/G) / 5 pcs (W04B40B/G) / 2 pcs (W08B40B/G)
Carton Weight	17.3kg (W02B40B/G) / 14.4kg (W04B40B/G) / 10.7kg (W08B40B/G)

